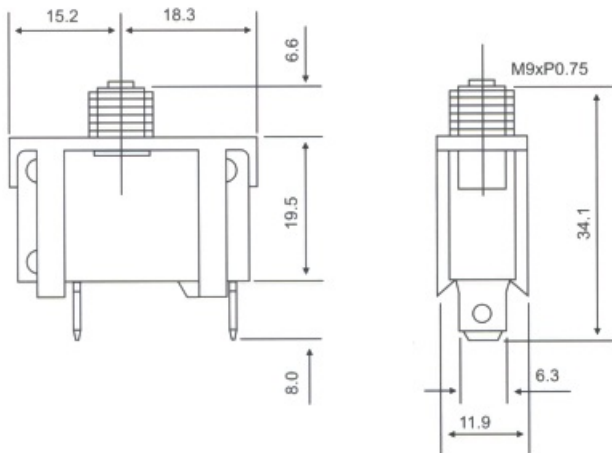


SHINE CIRCUIT BREAKER SERIES

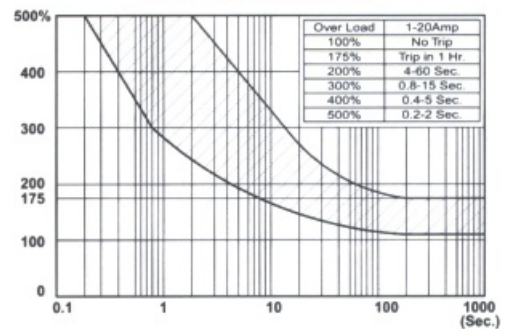
91L Series

Engineering Information:

Standard Rating : 1-20 AMPERE
 Input Power : 125 VAC / 250 VAC / 12 VDC /24 VDC
 Dielectric Strength : 1500VAC / 1 Minute.
 Interrupt Capacity : 125 VAC x 1000A, 250 VAC x 2000A.
 Insulation Resistance : >100 M ohms
 Calibration :
 25° C(77° F) Carried 100% of Rated Current.
 25° C(77° F) Carried 175% of Rated Current-Trip Within 1 HR.
 25° C(77° F) Carried 200% of Rated Current-Trip Within 4"~60".
 25° C(77° F) Carried 300% of Rated Current-Trip Within 0.8"~15".
 25° C(77° F) Carried 400% of Rated Current-Trip Within 0.4"~5".
 25° C(77° F) Carried 500% of Rated Current-Trip Within 0.2"~2".
 Contact Endurance :
 125 VAC x 150% of Rated Current -500 Cycles.
 Reset Method:Auto Reset.



Trip Time Curves



DERATING FACTOR		
TEMP	1A~10A	11A~20A
60 °C	--	×0.50
55 °C	--	×0.55
50 °C	×0.50	×0.65
45 °C	×0.55	×0.70
40 °C	×0.68	×0.80
35 °C	×0.80	×0.85
30 °C	×0.86	×0.88
25 °C	×1.00	×1.00
20 °C	×1.11	×1.10
15 °C	×1.20	×1.20
10 °C	×1.35	×1.30

MAX. Internal Resistance	
1.5A-2A	0.500 Ω
2.1A-2.5A	0.320 Ω
2.5A-3A	0.180 Ω
3.1A-4A	0.100 Ω
5.1A-6A	0.025 Ω
7.1A-9A	0.020 Ω
10.1A-12A	0.010 Ω
13.1A-16A	0.010 Ω
17.1A-20A	0.008 Ω

ORDERING GUIDE :

91L - 1.25A
 Series Rating
 1=1.0A
 1.25=1.25A
 1.5=1.5A
 }
 16=16A
 18=18A
 20=20A