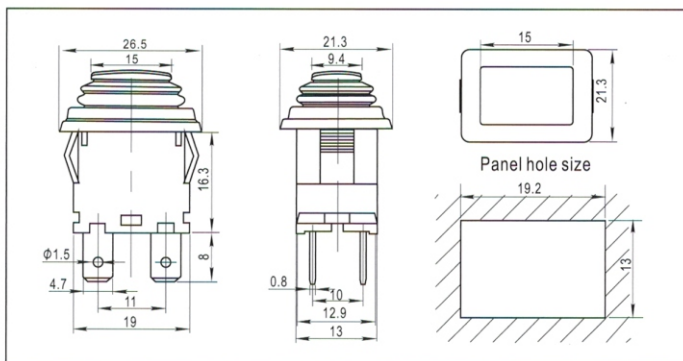


Since 1995, we focus on switches



16(4)A 250VAC T125/55
10(2)A 250VAC 5E4

RL5-6(P) - 21 - A - O - RE/BK - P1... (2)

Function		Cap Type		Cap Printing		Cap Color/Housing		Terminal		Voltage	
11	ON-OFF 2P	A	FLAT	0	None	BK	Black		1	110VAC	
11(ON)	(ON)-OFF 2P					WT	White			2	220VAC
21/N	ON-OFF 4P W/Lamp					RE	Red				
21	ON-OFF 4P					GE	Grey				
21(ON)	(ON)-OFF 4P										
21(ON)/N	(ON)-OFF 4P W/Lamp										