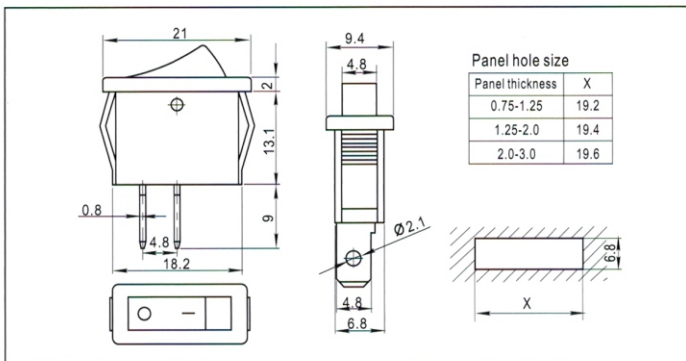


Since 1995, we focus on switches



6(2)A 250VAC T125/55 1E4  
10A 125VAC T105

## RL3-10(S) - 11 - G - 2 - BK/BK - P5

| Function |              | Rating                    | Cap Printing | Cap Color/Housing | Terminal |
|----------|--------------|---------------------------|--------------|-------------------|----------|
| 11       | ON-OFF 2P    | G 10A 125VAC<br>6A 250VAC | 0 None       | BK Black          | (P4)     |
| 12       | ON-ON 3P     |                           | 1            | WT White          | (P5)     |
| 13       | ON-OFF-ON 3P |                           | 2            | 5                 | RE Red   |
|          |              |                           | 6            |                   |          |