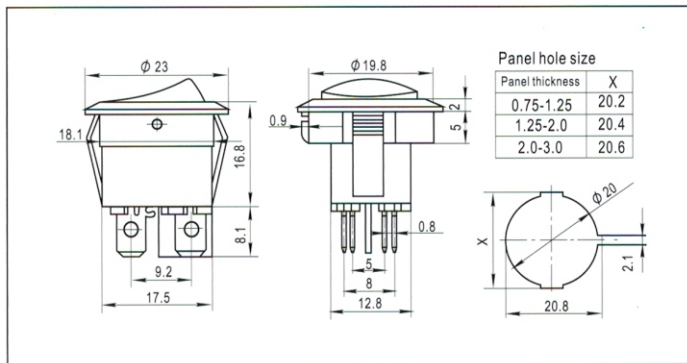


Since 1995, we focus on switches



(G): 6(2)A 250VAC T125/55 1E4
10A 125VAC
(H): 10(4)A 250VAC T125/55 1E4
10(2)A 250VAC T85/55 5E4
16A 125V/10A 250VAC 1/3HP
125-250VAC T105

RL3-4(R) - 21 - G - 2 - BK/BK - P8 - O

Function		Rating		Cap Printing		Cap Color/Housing		Terminal		Cap Type	
11	ON-OFF 2P	G	10A 125VAC 6A 250VAC	0	None	BK	Black		(P4)	O	Nothing
11/N	ON-OFF 3P W/Lamp	H	16A 125VAC 10A 250VAC	1		WT	White		(P8)	P	PVC-Cap
21	ON-OFF 4P			2		RE	Red		(P18)		
21/N	ON-OFF 4P W/Lamp			3					(P22)		
				8					(P23)		